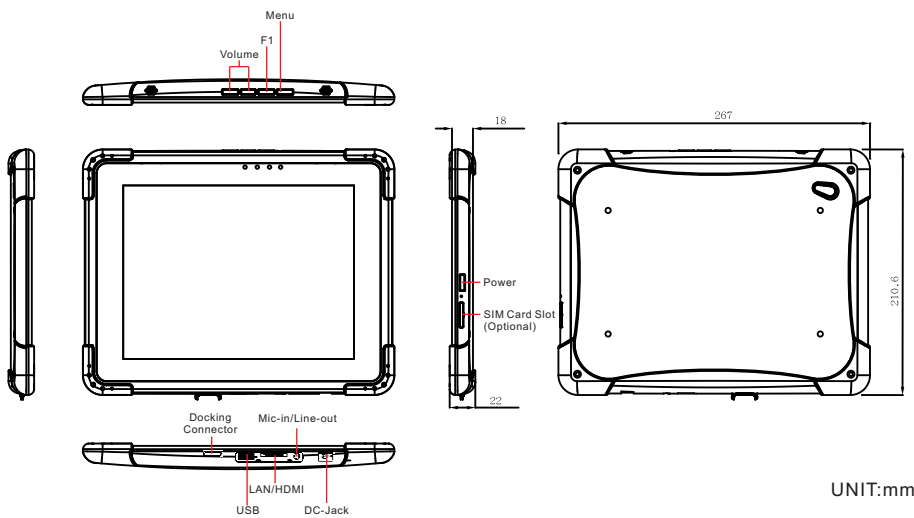


# 9.7" Compact Rugged tablet PC

Model :R09ID9M-RTL1

## Feature:

- 9.7" 1024 x 768 Resolution LED Panel
- Low-power system with Intel® Atom N2600 processor.
- 2GB SODIMM DDR3-800 memory
- Built-in Wi-Fi/ Bluetooth Module
- Support 3G function (for optional)
- Standard Battery 5300 mAh
- Semi- Shock, Vibration, and transit drop.



Note: this is a simplified drawing and some components are not marked in detail. Please contact our sales representative if you need further product information.



### System Specification

Operation System	: Windows Embedded Standard 7
Processor	: Intel® Atom N2600 1.6GHz
System Chipset	: Intel® NM10 Chipset
System Memory	: 2GB SODIMM DDR3 -800
Storage	: 16GB SATA SSD
Audio	: 1W speaker (Internal)
Camera	: 2 Mega pixels camera

### Mechanical and Environment

Dimensions (W x L x H)	: 267(W) x 210(L) x 22(H)
Weight	: 979g
Operation Temperature	: Operating: 0° C ~ 50° C
Battery charging Temp.	: 0° C ~ 35° C
Operation Humidity	: 30%~90% (non condensing)
Drop	: 4 feet
Certifications	: FCC , CE

### Display Specification

Pixel Number	: 1024(H) x 768(V)
Brightness	: 420 cd/m2 (typical)
Touch	: Projective-capacity touch (4 points)

### Control buttons

Control Button:	Power button
	1 x MENU Key 1 x Function key
	1 x Volume up 1 x Volume down
LED indicator	: Power on/off / Battery/ HDD Access/WiFi

### I/O Connectors

I/O Port	: 1 x DC jack, 1 x USB, 1 x Line out/Mic in, 1 x LAN/HDMI
----------	---

### Power Management

Power input	: 12V DC
Battery	: 5300mAh battery
Battery Operating Time	: 4 hours
Adapter	: 100- 240 V , 50-60 Hz / 12V DC input

### Optional Docking and Cable

Docking Adapter	: 1 x DC 12V input only
	: HDMI (female) Adapter Cable
	: LAN (female) Adapter Cable

Rev.	Reasons	Revised Date
1.1	Spec change	Dec-14-11
1.2	Spec change	Dec-15-11
1.3	Spec change	Dec-16-11